

LONGRUN

ULTRASONIC
FLOWMETER
SAMPLE BOOK

TYPE: LRF-3000H
Concentrating on Flow
Measurement

LONGRUN
Industrial Instrument
Co., Ltd



Introduction



The model LRF-3000H portable ultrasonic flowmeter is a true state-of-the-art transit-time flow meter designed by using the latest digital technology and intelligent self-correcting sonic transmission technology.

LRF-3000H features high reliability and low maintenance. Compared with other flow meters and other ultrasonic flow meters, LRF-3000H is characterized by high accuracy, high reliability, superior performance, rapid response to flow changes, and low cost.

Features

- Small volume and light weight make it ease of portability and operation.
- Easy and convenient magnetic clamp-on installation of transducers.
- One pair of transducers for a wide range of pipe sizes from DN25mm to DN1200mm.
- Backlit LCD display. Chinese and English selectable language.
- Daily, monthly and yearly/positive, negative and net flow totalizers.
- 8 GB SD memory card for high capacity data logging .



Applications

Water supply , Petrochemical, Waste water treatment, Chemical, Crude oil, Beverages, Pure/Ultra-pure water, Lubricant oil, Industrial process water, Seawater desalinization, Cooling/Heating water, Many others...



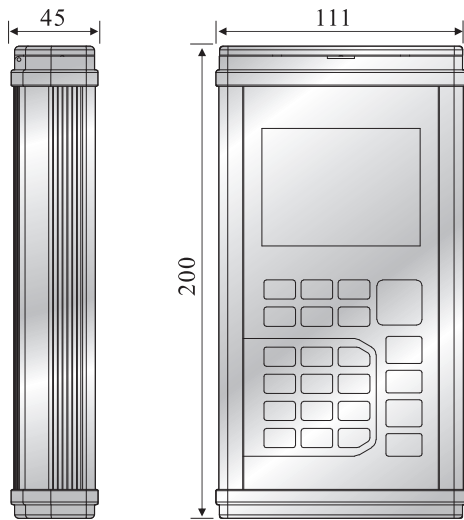
Handheld type

I Standard Configuration I

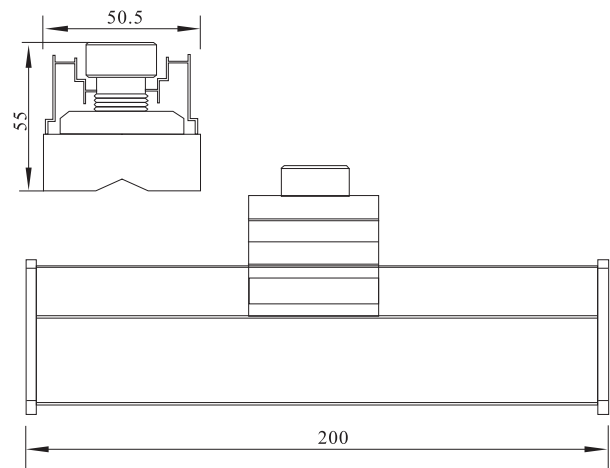
1. Transmitter with large screen backlit 4-line display
2. A pair of magnetic clamp-on transducers with 9mx2 cables
3. A pair of stainless steel brackets (guide rails) for use of transducers
4. A pair of stainless steel chains to fasten the transducers
5. Power supply /Battery charger
6. 4-20mA output cable
7. Card reader
8. Ultrasonic couplant
9. High-strength carrying case



I Product Size I



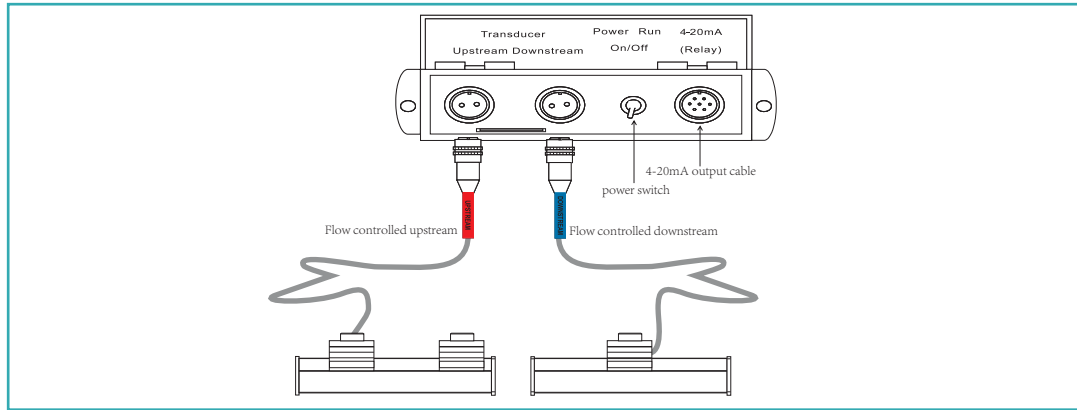
Transmitter size(mm)



Transducer size(mm)

Handheld type

Wiring



Specification

Items	Specification
Velocity range	0~±12m/s
Pipe size	25mm~1200mm
Repeatability	0.2%
Linearity	±1%
Output	Analogue output:4~20mA, Max7500hm
SD Card	Storage:8GB
Max	512 files
Interval	5~60 seconds
Display	64×128 alphanumeric,backlit LCD
Temperature	-10°C~60°C
Measured medium	-40°C~80°C (Standard)
Humidity	0~99%RH,non-condensing
Transmitter	IP54
Encapsulated design	IP68
Standard cable length	16ft(5m)
Weight	Transmitter: 1kg

Handheld type

I Measurement Site Seleccion I

When selecting a measurement site, it is important to select an area where the fluid flow profile is fully developed to guarantee a highly accurate measurement. Use the following guidelines to select a proper installation site: Choose a section of pipe that is always full of liquid, such as a vertical pipe with flow in the upward direction or a full horizontal pipe. Ensure enough straight pipe length at least equal to the figure shown below for the upstream and downstream transducers installation.

90° bend



Tee



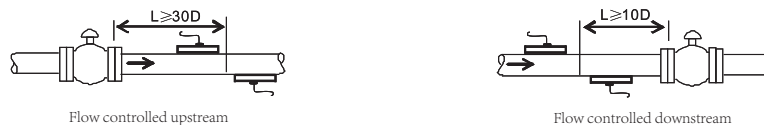
Diffuser



Reduce



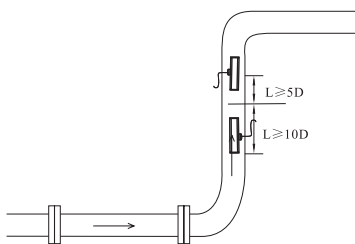
Valve



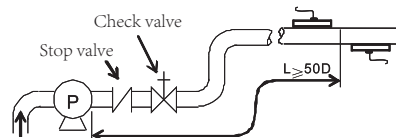
Flow controlled upstream

Flow controlled downstream

vertical installation



Pump



Ensure that the pipe surface temperature at the measuring point is within the transducer temperature limits. Consider the inside condition of the pipe carefully. If possible, select a section of pipe where the inside is free of excessive corrosion or scaling.

LONGRUN

Longrun Industrial Instrument Co.,Ltd

24hours service: +86-186-5435-6933

Tel: +86-543-3382666

Fax: +86-543-3615999

E-mail: info@ultrasonicscn.com

Website: www.longrun-flowmeter.com